

# ECO.100S+/CT

## Magnetic drilling machine

**EUROBOOR**

FOR PROFESSIONALS BY PROFESSIONALS

### Technical data

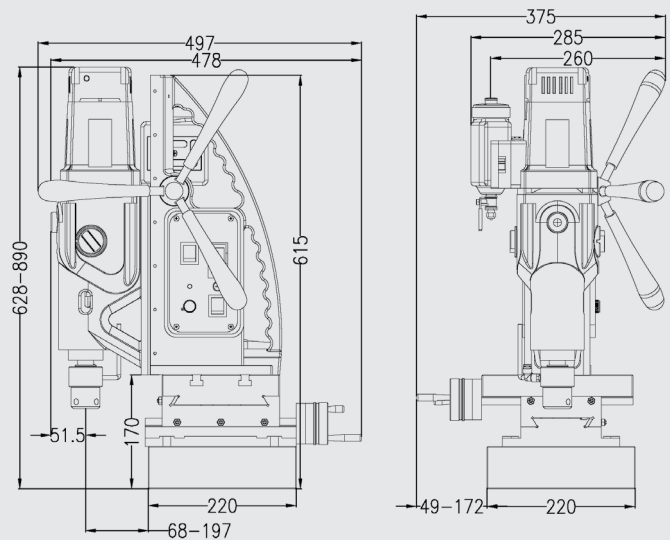
	Metric	Imperial
Annular cutting	Ø 12 - 100 mm	Ø 7/16" - 4"
Twist drilling	Ø 1 - 31,75 mm	Ø 1/16" - 1 1/4"
Countersinking	Ø 10 - 105 mm	Ø 3/8" - 4 1/8"
Tapping	M3 - M30	Ø 1/8" - 13/16"
<hr/>		
Length	497 mm	19 9/16"
Width	375 mm	14 3/4"
Height	628 - 890 mm	24 3/4" - 35 1/16"
Stroke	260 mm	10 1/4"
Travel distance	X-axis 110 mm Y-axis 120 mm	X-axis 4 5/16" Y-axis 4 3/4"
<hr/>		
Weight*	55 kg	121 lbs
Magnet (l x w x h)	220 x 220 x 64 mm	8 11/16" x 8 11/16" x 2 1/2"
Magnetic force	4300 kg	9,700 lbs
Motor power	1,900 W	17.3 A
Total power	2,200 W	18.6 A
Speed (no load)	(I) 42 - 110 rpm (II) 65 - 190 rpm (III) 140 - 400 rpm (IV) 220 - 620 rpm	
Speed (load 1,900 W, 17.3 A)	(I) 42 rpm (II) 65 rpm (III) 140 rpm (IV) 220 rpm	
Spindle (Weldon)	MT3 31.75 mm	MT3 1 1/4"
Voltage	110 - 120 V / 60 Hz 220 - 240 V / 50 - 60 Hz	

\* Without power cord and handles

### Features

 <b>Adjustable speed</b>	 <b>Torque control</b>	 <b>R/L rotation</b>	 <b>Overheat protection</b>
 <b>Power surge protection</b>	 <b>Power fluctuation protection</b>	 <b>Gyro-Tec</b>	 <b>Automatic shut-off</b>
 <b>Oil lubricated gearbox</b>	 <b>Carbon brush wear indicator</b>	 <b>2-way magnet (TempTec)</b>	 <b>Magnet LED-indicator (SensorTec)</b>
 <b>Cross table</b>	 <b>Milling</b>	 <b>Tapping</b>	

Euroboor makes every effort to meet quality and integrity requirements. That is why we as an organization are proud of the recognition of some leading organizations worldwide:



[www.euroboor.com](http://www.euroboor.com)